



FORGED STEEL CHECK VALVE

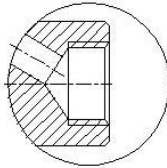
CLASS-800#, 1500# & 2500#

Technical Detail

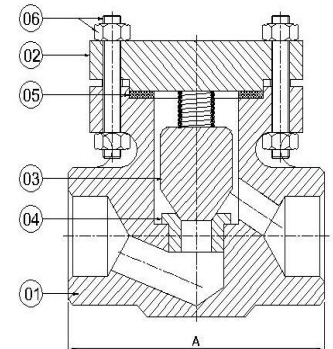
Manufacturing Std : BS:5352
 Testing & Inspection Std : API:598 / BS-6755 (Part-I)
 Socket Weld Ends & S/E : As per ANSI B 16.11 &
 ANSI B 1:20:1

Special Features

- With Electrical Actuator
- With Stelling
- With IBR Certification
- With Nace MR 0175



Screwed End Connection.



Material Detail

| Part No. | Part Name | A 105 | LF2 | LF3 | F304 | F316 | F11 | F22 |
|----------|------------------|---|--------------|--------------|----------------|----------------|---------------|---------------|
| 01 | Body | ASTM A 105 | A350 Gr. LF2 | A350 Gr. LF3 | A 182 Gr. F304 | A 182 Gr. F316 | A 182 Gr. F11 | A 182 Gr. F22 |
| 02 | Cover | ASTM A 105 | A350 Gr. LF2 | A350 Gr. LF3 | A 182 Gr. F304 | A 182 Gr. F316 | A 182 Gr. F11 | A 182 Gr. F22 |
| 03 | Valve | AISI 410 | AISI 304 | AISI 304 | AISI 304 | AISI 316 | AISI 316 | AISI 316 |
| 04 | Seat Ring | A182 Gr.F6a. | A182 Gr.F6a. | A182 Gr.F6a. | A276-304 | A276-316 | A276-410 | A276-410 |
| 05 | Cover Gasket | S.S.304 / S.S.316 Spiral wound Gasket with Grafoil Filler | | | | | | |
| 06 | Cover Stud & Nut | A193 B7 | A320 L7 | A320 L7 | A193 B8 | A193 B8 | A193 B16 | A193 B16 |

Also Available

1. Casting in WCC,LCC,CF3,CF8C,CN7M, Hastalloy, Monel also Provided against Requirement
2. Trim Material
3. Special Features Like Stelling

| Primary Service Rating & Test Pressure | | |
|--|--------------------|------------------|
| Class | Hyd. Test Pressure | |
| | Body | Seat |
| 800 | 3000 PSIG | 2000 PSIG |
| 1500 | 5400 PSIG | 4000 PSIG |
| 2500 | 9000 PSIG | 6600 PSIG |
| Air Test - Seat | | 80 PSIG ±10 PSIG |

Dimension Detail

| Class-800# | | |
|------------|------|-----------|
| Size | | S/E & S/W |
| IN. | M.M. | A |
| ½" | 15 | 85.0 |
| ¾" | 20 | 90.0 |
| 1" | 25 | 105.0 |
| 1 ½" | 40 | 128.0 |
| 2" | 50 | 142.0 |

| Class-1500# | | |
|-------------|------|-----------|
| Size | | S/E & S/W |
| IN. | M.M. | A |
| ½" | 15 | 90.0 |
| ¾" | 20 | 110.0 |
| 1" | 25 | 127.0 |
| 1 ½" | 40 | 180.0 |
| 2" | 50 | 210.0 |

| Class-2500# | | |
|-------------|------|-----------|
| Size | | S/E & S/W |
| IN. | M.M. | A |
| ½" | 15 | 150.0 |
| ¾" | 20 | 150.0 |
| 1" | 25 | 210.0 |
| 1 ½" | 40 | 230.0 |
| 2" | 50 | 230.0 |